

# Hyperdrain

## Condensate drains



Even the smallest amount of liquid condensate, if carried through the compressed air network, can cause serious damage to apparatus and processes. It is of paramount importance that all condensate is completely removed from the compressed air circuit. The condensate drain is a vital component in any compressed air system; its role is to guarantee an efficient removal of all the condensate and impurities present within the compressed air.

50 years experience has allowed Parker Hiross to develop Hyperdrain, designed to satisfy all customer requirements.

The range comprises zero-loss electronic capacitive drains, zero-loss mechanical float drains and timed drains. Hyperdrain can be used with all components in the compressed air system.



### Contact Information:

Parker Hiross S.p.A.  
Strada Zona Industriale 4  
S. Angelo di Piove PD  
Italy

**Tel: +39 049 9712 217**  
**Fax: +39 049 9701 911**  
**Email: info@parker.com**

[www.dh-hiross.com](http://www.dh-hiross.com)

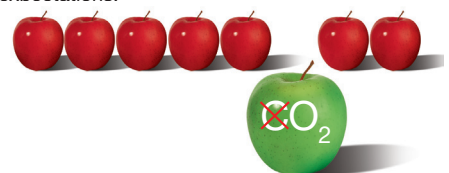
### Product Features:

- No air loss
- No risk of condensate carry-over
- Low maintenance requirements
- Alarm signal

### Philosophy

Parker Hiross specialises in cooling, purification, and separation technologies, where compressed air and gas purity, product quality, technological excellence and global support are paramount. We design and manufacture compressed air treatment products and cooling equipment for many key industries where ease of integration, low cost of ownership and energy saving can make the difference.

Parker Hiross has been supplying industry with high efficiency products with low lifetime costs and reduced CO<sub>2</sub> emissions since 1964. Our philosophy 'to stand out from the crowd' is our credo, encouraging our employees to achieve continuous improvement and satisfy customer expectations.



ENGINEERING YOUR SUCCESS.

## HDF Zero-loss mechanical float drains



### All the benefits, in three steps:

#### 1 - Installation

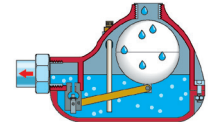
- No need for electrical wiring, as power supply is not required.
- No programming or calibration required, HDF is ready to use.
- Also available with an internal vent line.

#### 2 - Maintenance

- Manual drain valve for system discharge and operational check fitted as standard.

#### 3 - Use

- Large cross section outlet valve opening minimizes the chance of blockages for improved reliability.
- Low velocity condensate outlet ensures that no emulsion is created and supports installation of a static oil/water separator.



## CDV Timed drains



The CDV timed drains automatically discharge the condensate following the set cycles:

- drain opening time set
- interval between each opening set

### All the benefits, in three steps:

#### 1 - Installation

- Compact dimensions and different voltages available.

#### 2 - Maintenance

- Stainless steel strainer as standard, protects drain from impurities.
- Standard manual drain valve.

#### 3 - Use

- Large condensate inlet & outlet ports prevent blockages.
- Forced drainage patterns ensures reliability, even in the presence of impurities.
- Compact, packaged design guarantee reliable operation even in the most demanding conditions
- Robust construction featuring a stainless steel and brass valve.

## HDE-X Zero-loss electronic drains



- Magnetic core level control: guarantees zero compressed air losses and the reliability of operation thanks to the electronic control.
- Separate opening and closing sensors (HDE30X-50X): fewer working cycles and increased reliability.
- Integral dirt screen against impurities: contaminants which could damage the diaphragm valve

are trapped and an alarm activated when the filter is blocked.

- Works with all condensates (including impurities and oil).
- No contact between the electrical parts and the condensate.

### All the benefits, in three steps:

#### 1 - Installation

- Condensate inlet (4) rotates for easy top or rear inlet connection (from HDE20X).
- No programming or calibration required.
- Balance line inlet ((3), from HDE20X) for installation ease even in complex situations.

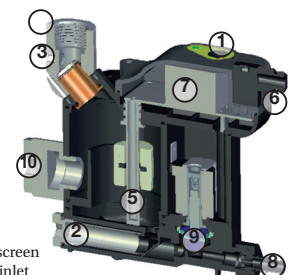
#### 2 - Maintenance

- Easy drain access and easily removable electrical connector (7) simplify maintenance.

#### 3 - Use

- Large cross section diaphragm valve (9) with pilot control improves reliability.

- Alarm lamp (5) warns the user if the condensate cannot be discharged, protecting the system from contamination.
- Standard volt-free alarm contact ((6), HDE30X-50X) allows remote monitoring.
- Special outlet flow regulator (8) to throttle condensate flow, ensures no emulsion is created and supports the oil/water separator installation.

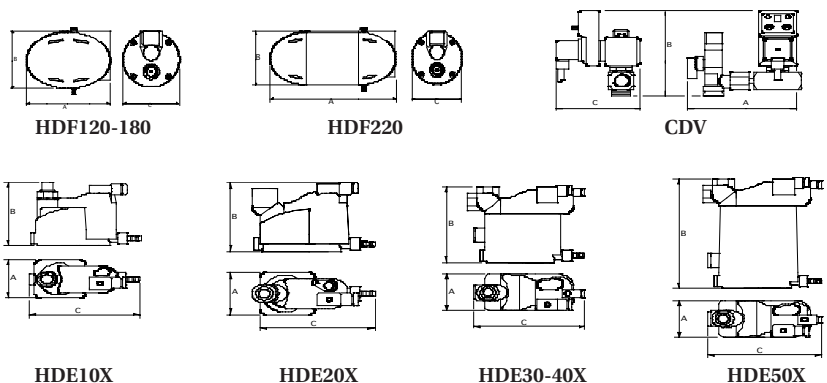


- 1) Alarm lamp
- 2) Integral dirt screen
- 3) Balance line inlet
- 4) Condensate inlet
- 5) Magnetic core level control
- 6) Volt free alarm contact
- 7) Electrical connector
- 8) Outlet flow regulator
- 9) Diaphragm valve
- 10) Bottom condensate inlet (from HDE30X)

# Technical data

Model	construction materials			technical data						dimensions (mm)			weight (kg)
	body	float	lever	air/gas flow without dryer		connections		max p.	power supply	A	B	C	
				m <sup>3</sup> /h	m <sup>3</sup> /min	in	out	bar g					
External float drains (with built-in air vent)													
<b>HDF120-A</b>	alumin.	plastic	plastic	5.400	90	1/2"	1/2"	16	-	156	111	108	0,9
<b>HDF180-A</b>	alumin.	plastic	plastic	6.000	100	1"	1/2"	16	-	156	111	108	0,9
<b>HDF220-A</b>	alumin.	plastic	plastic	15.000	250	1"	1/2"	16	-	266	111	108	1,9
External float drains (without air vent)													
<b>HDF120</b>	alumin.	plastic	plastic	5.400	90	1/2"	1/2"	16	-	156	111	108	0,9
<b>HDF180</b>	alumin.	plastic	plastic	6.000	100	1"	1/2"	16	-	156	111	108	0,9
<b>HDF220</b>	alumin.	plastic	plastic	15.000	250	1"	1/2"	16	-	266	111	108	1,9
External float drains (NPT connection – with built in vent)													
<b>HDF120/NPT-A</b>	alumin.	plastic	plastic	5.400	90	1/2" NPT	1/2"	16	-	156	111	108	0,9
<b>HDF180/NPT-A</b>	alumin.	plastic	plastic	6.000	100	1" NPT	1/2"	16	-	156	111	108	0,9
<b>HDF220/NPT-A</b>	alumin.	plastic	plastic	15.000	250	1" NPT	1/2"	16	-	266	111	108	1,9
External float drains BioEnergy													
<b>HDF220BE</b>	alumin.	plastic/ st steel	plastic/ st steel	6.500	108	1"	1/2"	1	-	266	111	108	1,9
Timed drains													
<b>CDV/24V</b>	plastic / brass			9.000	150	1/2"	3/8"	16	24/1/50-60	90	110	90	0,7
<b>CDV/115V</b>	plastic / brass			9.000	150	1/2"	3/8"	16	115/1/50-60	90	110	90	0,7
<b>CDV/230V</b>	plastic / brass			9.000	150	1/2"	3/8"	16	230/1/50-60	90	110	90	0,7
<b>CDV/50barg</b>	plastic / brass			9.000	150	1/2"	1/8"	50	230/1/50-60	90	110	90	0,7
Electronic level sensing drains													
<b>HDE10X</b>	polyamide / aluminium			720*	12*	1 x G 1/2	G 3/8	16	115/1/50-60	67	110	146	0,5
<b>HDE10X</b>	polyamide / aluminium			720*	12*	1 x G 1/2	G 3/8	16	230/1/50-60	67	110	146	0,5
<b>HDE20X</b>	polyamide / aluminium			240	4	1 x G 1/2	G 3/8	16	115/1/50-60	67	101	139	0,6
<b>HDE20X</b>	polyamide / aluminium			240	4	1 x G 1/2	G 3/8	16	230/1/50-60	67	101	139	0,6
<b>HDE30X</b>	polyamide / aluminium			420	7	2 x G 1/2	G 3/8	16	115/1/50-60	67	122	164	1
<b>HDE30X</b>	polyamide / aluminium			420	7	2 x G 1/2	G 3/8	16	230/1/50-60	67	122	164	1
<b>HDE40X</b>	polyamide / aluminium			1.800	30	2 x G 1/2	G 3/8	16	115/1/50-60	67	137	164	1
<b>HDE40X</b>	polyamide / aluminium			1.800	30	2 x G 1/2	G 3/8	16	230/1/50-60	67	137	164	1
<b>HDE50X</b>	polyamide / aluminium			6.000	100	2 x G 1/2	G 3/8	16	115/1/50-60	67	197	164	2
<b>HDE50X</b>	polyamide / aluminium			6.000	100	2 x G 1/2	G 3/8	16	230/1/50-60	67	197	164	2

Performances refer to 35°C compressed air temperature, 25°C ambient temperature, 65% R.H., 3°C pressure dew point (calculations with refrigeration dryer), 7 barg working pressure. Figures for refrigeration dryer and filter assume adequate condensate removal upstream. If installed after the dryer, multiply the condensate drain air flow by 2; if installed after the filter, multiply the air flow by 6.



# Parker Worldwide

**AE – UAE**, Dubai  
Tel: +971 4 8127100  
parker.me@parker.com

**AR – Argentina**, Buenos Aires  
Tel: +54 3327 44 4129

**AT – Austria**, Wiener Neustadt  
Tel: +43 (0)2622 23501-0  
parker.austria@parker.com

**AT – Eastern Europe**,  
Wiener Neustadt  
Tel: +43 (0)2622 23501 900  
parker.easteurope@parker.com

**AU – Australia**, Castle Hill  
Tel: +61 (0)2-9634 7777

**AZ – Azerbaijan**, Baku  
Tel: +994 50 2233 458  
parker.azerbaijan@parker.com

**BE/LU – Belgium**, Nivelles  
Tel: +32 (0)67 280 900  
parker.belgium@parker.com

**BR – Brazil**, Cachoeirinha RS  
Tel: +55 51 3470 9144

**BY – Belarus**, Minsk  
Tel: +375 17 209 9399  
parker.belarus@parker.com

**CA – Canada**, Milton, Ontario  
Tel: +1 905 693 3000

**CH – Switzerland**, Etoy  
Tel: +41 (0) 21 821 02 30  
parker.switzerland@parker.com

**CL – Chile**, Santiago  
Tel: +56 2 623 1216

**CN – China**, Shanghai  
Tel: +86 21 5031 2525

**CZ – Czech Republic**, Klecany  
Tel: +420 284 083 111  
parker.czechrepublic@parker.com

**DE – Germany**, Kaarst  
Tel: +49 (0)2131 4016 0  
parker.germany@parker.com

**DK – Denmark**, Ballerup  
Tel: +45 43 56 04 00  
parker.denmark@parker.com

**ES – Spain**, Madrid  
Tel: +34 902 33 00 01  
parker.spain@parker.com

**FI – Finland**, Vantaa  
Tel: +358 (0)20 753 2500  
parker.finland@parker.com

**FR – France**, Contamine s/Arve  
Tel: +33 (0)4 50 25 80 25  
parker.france@parker.com

**GR – Greece**, Athens  
Tel: +30 210 933 6450  
parker.greece@parker.com

**HK – Hong Kong**  
Tel: +852 2428 8008

**HU – Hungary**, Budapest  
Tel: +36 1 220 4155  
parker.hungary@parker.com

**IE – Ireland**, Dublin  
Tel: +353 (0)1 466 6370  
parker.ireland@parker.com

**IN – India**, Mumbai  
Tel: +91 22 6513 7081-85

**IT – Italy**, Corsico (MI)  
Tel: +39 02 45 19 21  
parker.italy@parker.com

**JP – Japan**, Tokyo  
Tel: +(81) 3 6408 3901

**KR – South Korea**, Seoul  
Tel: +82 2 559 0400

**KZ – Kazakhstan**, Almaty  
Tel: +7 7272 505 800  
parker.easteurope@parker.com

**LV – Latvia**, Riga  
Tel: +371 6 745 2601  
parker.latvia@parker.com

**MX – Mexico**, Apodaca  
Tel: +52 81 8156 6000

**MY – Malaysia**, Shah Alam  
Tel: +60 3 7849 0800

**NL – The Netherlands**,  
Oldenzaal  
Tel: +31 (0)541 585 000  
parker.nl@parker.com

**NO – Norway**, Ski  
Tel: +47 64 91 10 00  
parker.norway@parker.com

**NZ – New Zealand**, Mt Wellington  
Tel: +64 9 574 1744

**PL – Poland**, Warsaw  
Tel: +48 (0)22 573 24 00  
parker.poland@parker.com

**PT – Portugal**, Leca da Palmeira  
Tel: +351 22 999 7360  
parker.portugal@parker.com

**RO – Romania**, Bucharest  
Tel: +40 21 252 1382  
parker.romania@parker.com

**RU – Russia**, Moscow  
Tel: +7 495 645-2156  
parker.russia@parker.com

**SE – Sweden**, Spånga  
Tel: +46 (0)8 59 79 50 00  
parker.sweden@parker.com

**SG – Singapore**  
Tel: +65 6887 6300

**SK – Slovakia**, Banská Bystrica  
Tel: +421 484 162 252  
parker.slovakia@parker.com

**SL – Slovenia**, Novo Mesto  
Tel: +386 7 337 6650  
parker.slovenia@parker.com

**TH – Thailand**, Bangkok  
Tel: +662 717 8140

**TR – Turkey**, Istanbul  
Tel: +90 216 4997081  
parker.turkey@parker.com

**TW – Taiwan**, Taipei  
Tel: +886 2 2298 8987

**UA – Ukraine**, Kiev  
Tel: +380 44 494 2731  
parker.ukraine@parker.com

**UK – United Kingdom**,  
Warwick  
Tel: +44 (0)1926 317 878  
parker.uk@parker.com

**US – USA**, Cleveland  
Tel: +1 216 896 3000

**VE – Venezuela**, Caracas  
Tel: +58 212 238 5422

**ZA – South Africa**,  
Kempton Park  
Tel: +27 (0)11 961 0700  
parker.southafrica@parker.com

European Product Information Centre  
Free phone: 00 800 27 27 5374  
(from AT, BE, CH, CZ, DE, DK, ES, FI, FR, IE,  
IT, NL, NO, PL, PT, RU, SE, UK, ZA)

BULDRAIN-00-EN